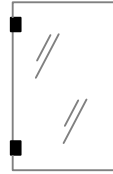
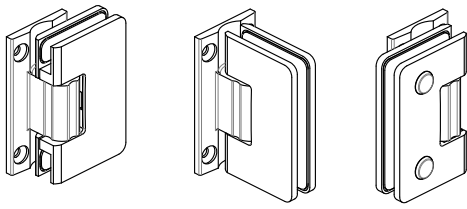
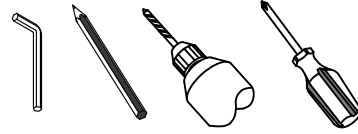


# BOX DOCIA

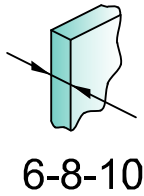
# 8500



Tools required

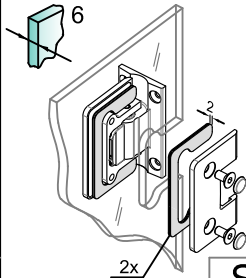


Fittings required

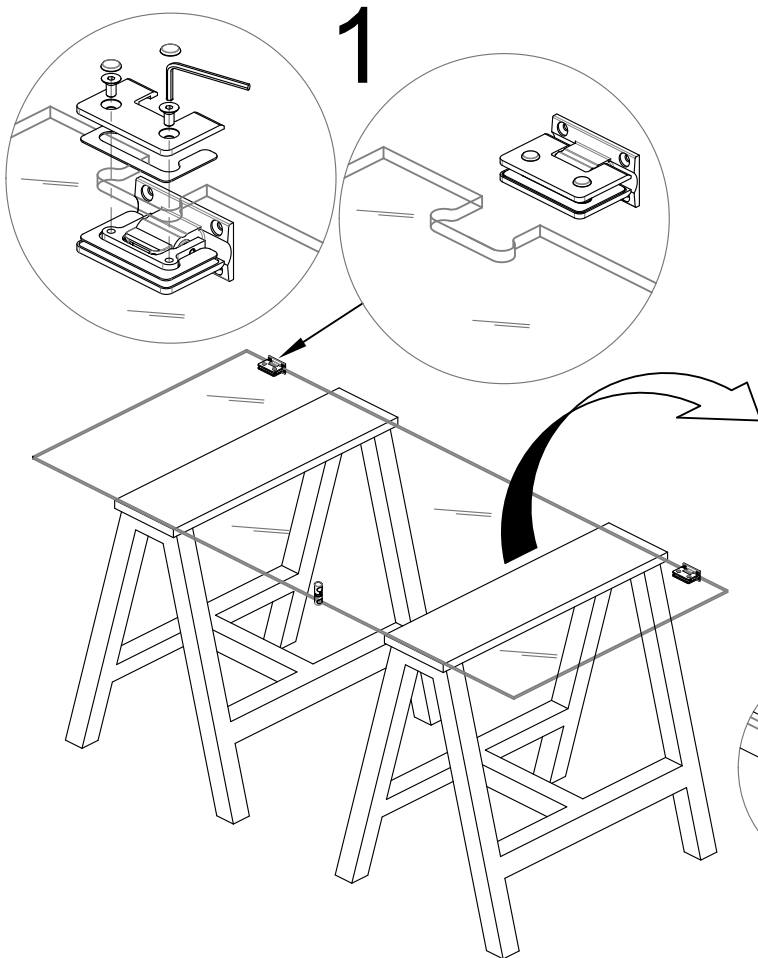
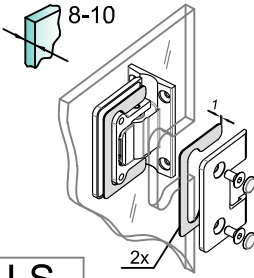


6-8-10

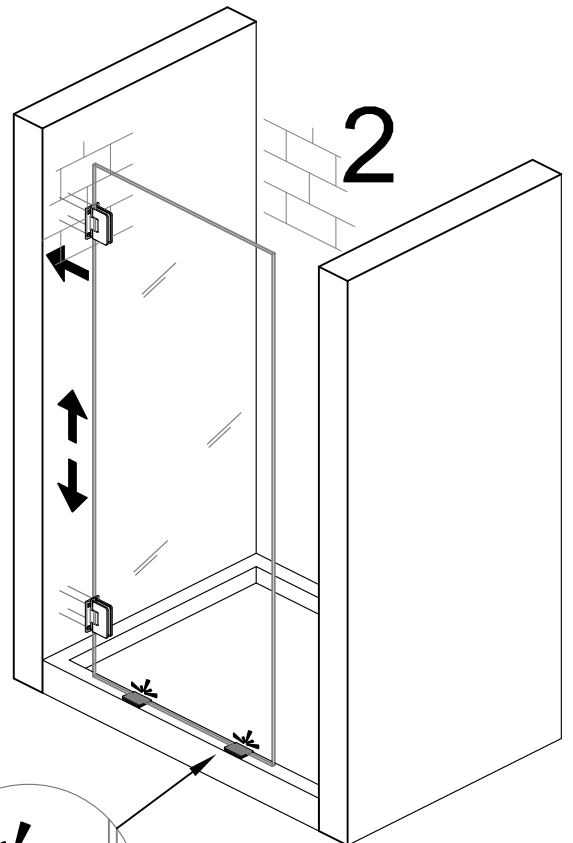
GLASS



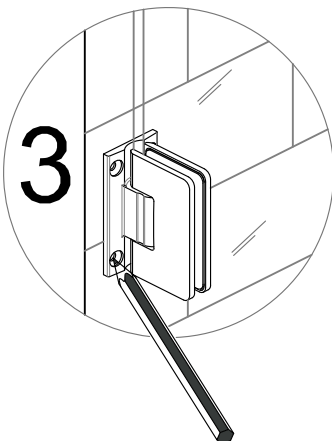
SEALS



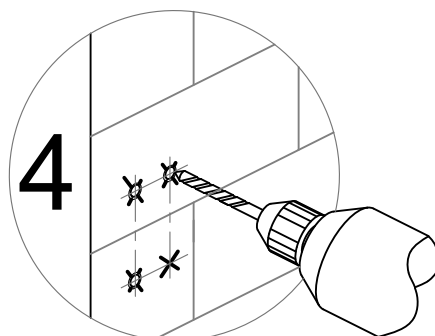
1



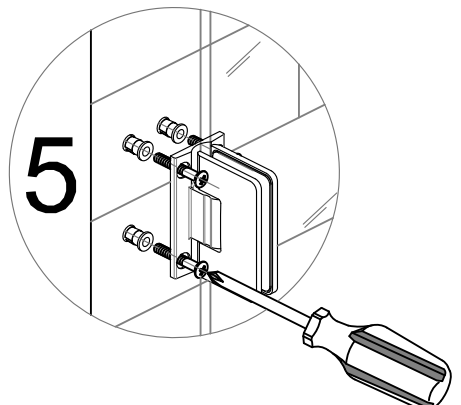
2



3



4



5

# BOX DOCIA

# 8500R

		<p>Tools required</p>	<p>Fittings required</p> <p>4 x</p>
--	--	-----------------------	-------------------------------------

