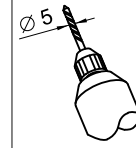
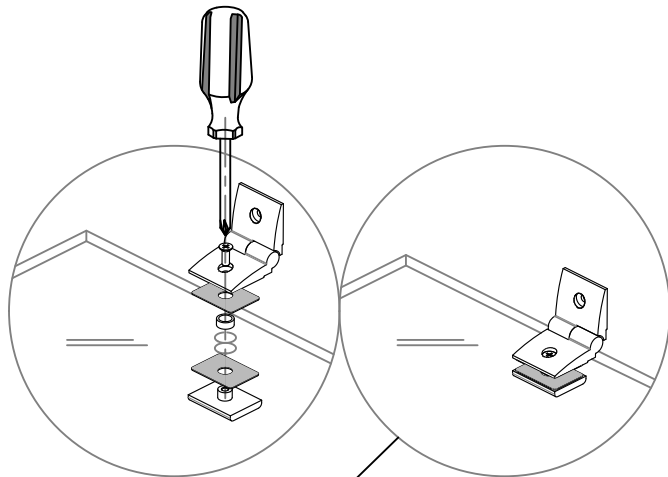


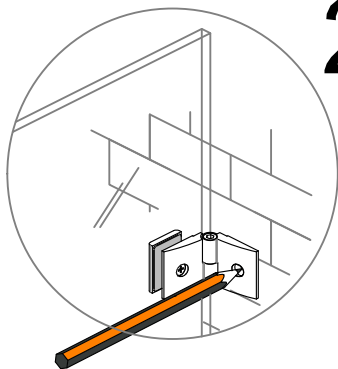
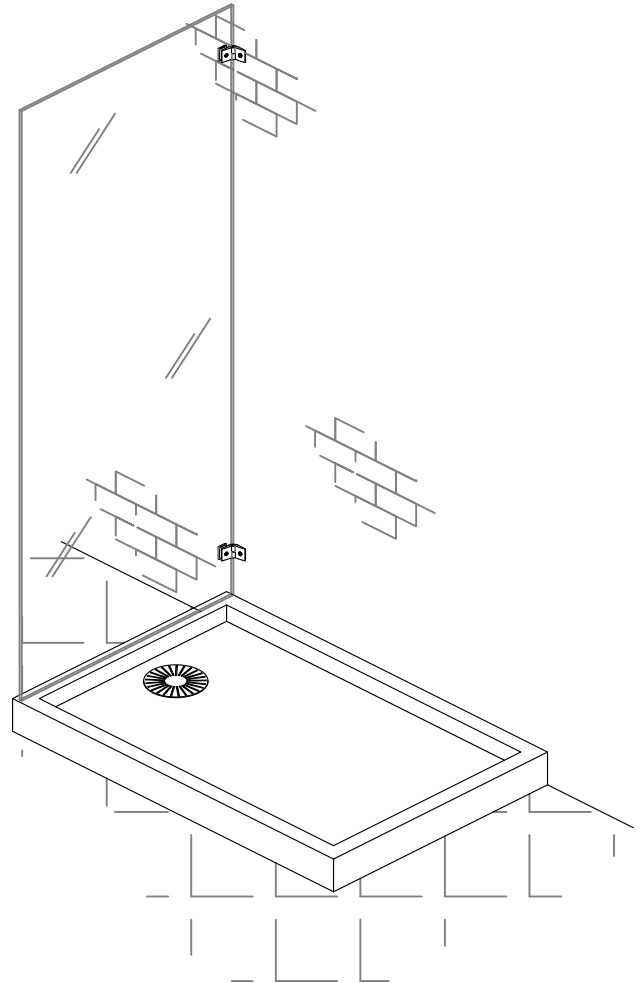
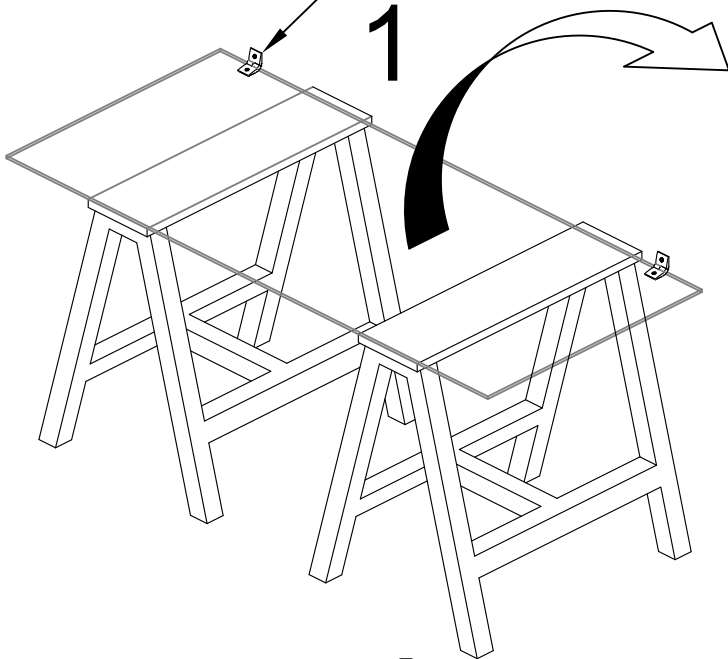
Tools required



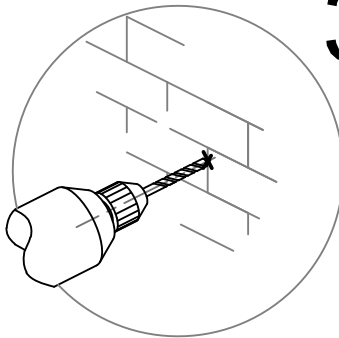
1 x



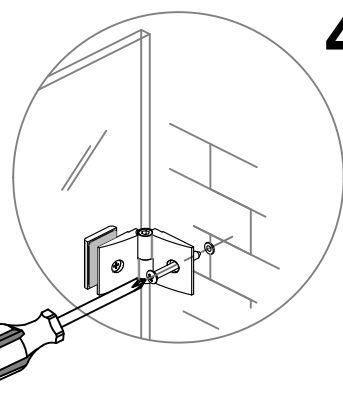
1



2



3

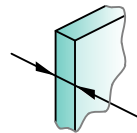
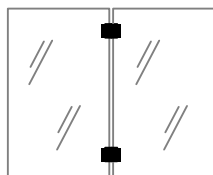
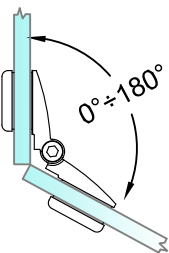
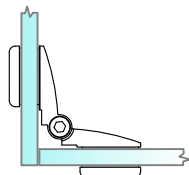
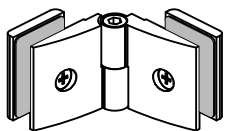


4

SHOWER BOXES

Hip-ZAC SYSTEM

4429



6-8-10
GLASS

Tools required

