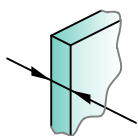
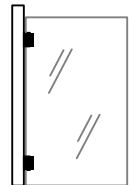
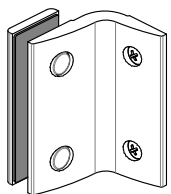


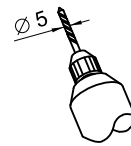
# SHOWER BOXES

4410

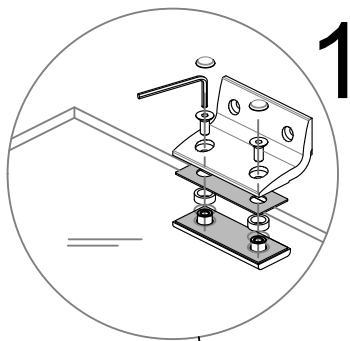


6-8-10  
GLASS

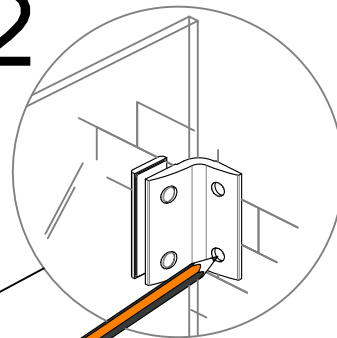
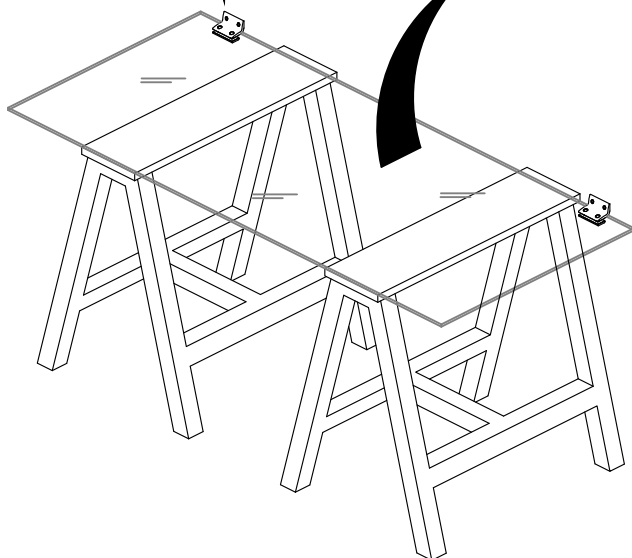
Tools required



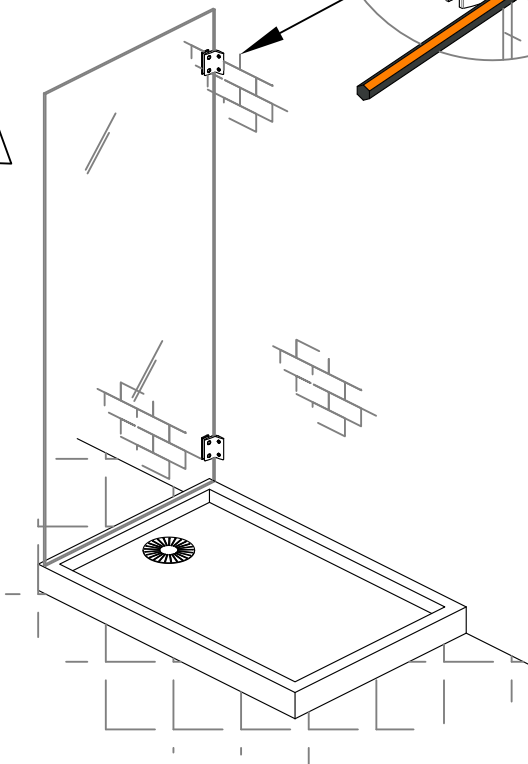
2 x



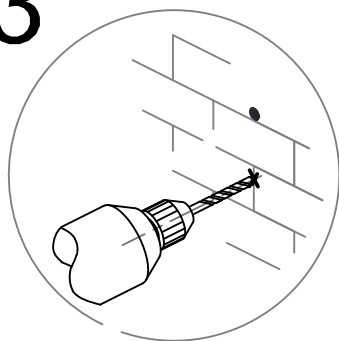
1



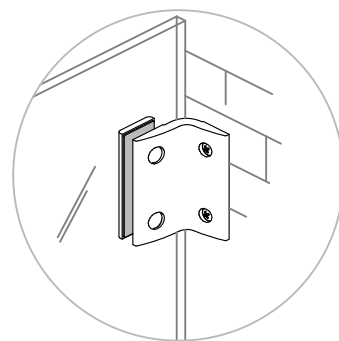
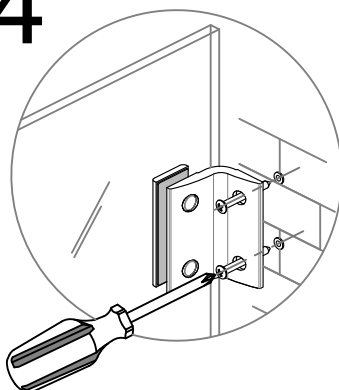
2



3

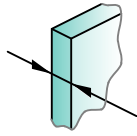
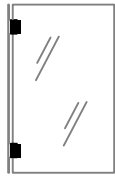
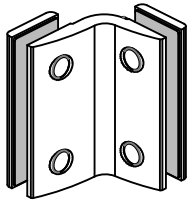


4



# SHOWER BOXES

4411

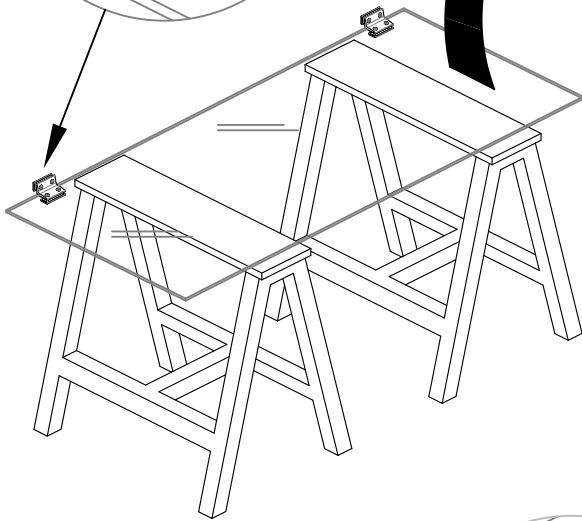
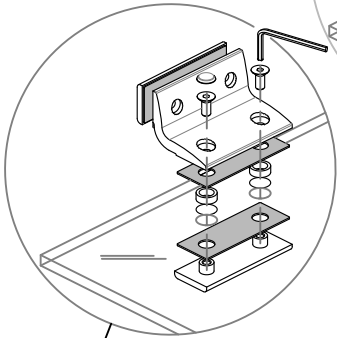
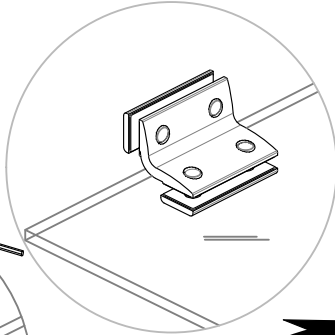


6-8-10  
GLASS

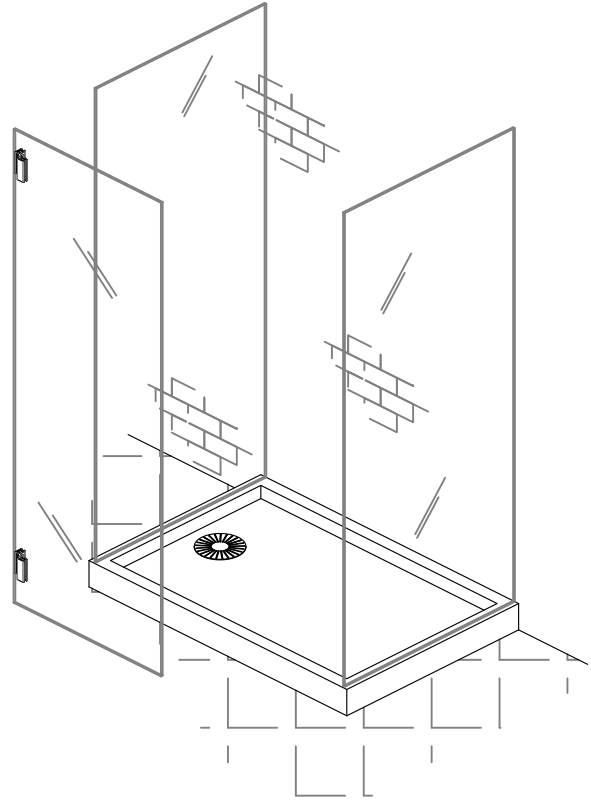
Tools required



1



2



3

